

auto electrical parts

Technical Information Sheet

Part No. 0-852-00

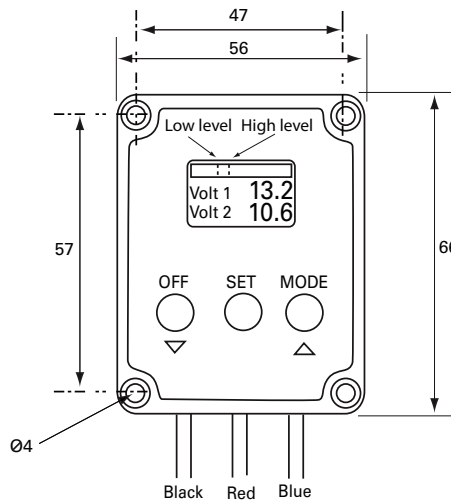
12/24 volt dual battery voltage monitor, can be set for high and low voltage warning levels on 2 battery circuits, warning is indicated by highlighting the voltage on the display and an integral buzzer can also be enabled. The warning is delayed 5 seconds to prevent spurious warnings. The monitor also has a clock function and automatic sleep functions. Panel Mount. I 56 x w 20 x h 66mm.

Additional information:

The device can display one 12v and one 24v system voltage at the same time.



Technical Drawing (not to scale)



Specification

Type	Digital dual battery voltage monitor
Voltage	12/24 volt dc
Display	OLED
Clock	12/24 hour
Lead length	165 mm (5mm male bullet terminal)
Weight	32g
Dimensions	I 56 x w 20 x h 66mm
Panel cutout	I 42 x h 49mm (min depth 20mm)
Fixing	4 x self tapping screws
Compliance	CE

The information contained in this document is correct to the best of our knowledge at the time of printing. However, specifications may change at any time without notice.